

pha - standard face

pipe hood assembly w collar for 6" boots



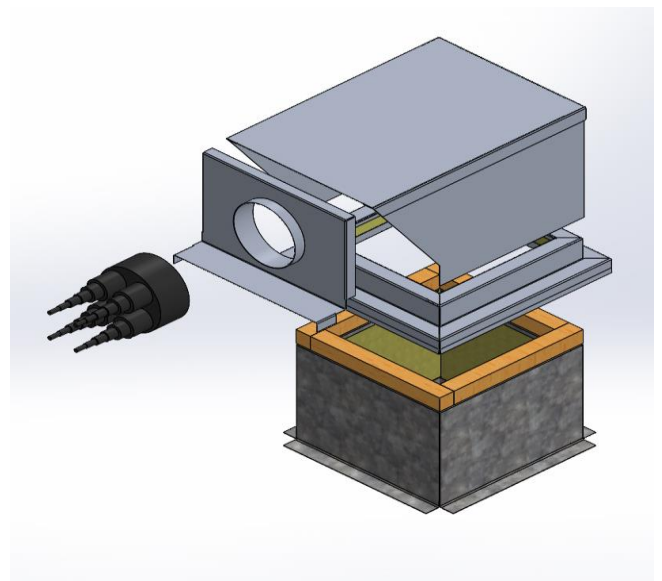
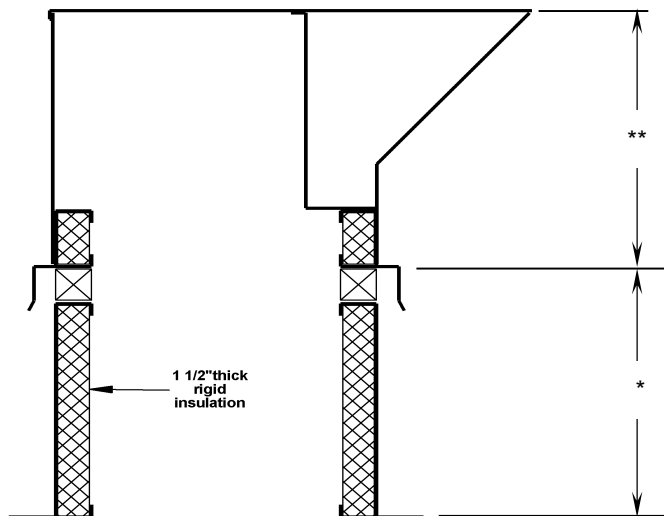
245 eisenhower lane south • lombard, illinois 60148
630.705.1920 • 800.243.3018 • fax 630.705.1930
www.patecurbs.com • e-mail: sales@patecurbs.com

standard construction

Heavy ga. aluminum construction. With removable top cover, faceplate and 3 sided body provide easy access to the hood interior. Separate fully welded and insulated aluminum mounting base furnished to isolate hood from galvanized curb. Field insulation of hood interior and caulking of all exposed joints after installation of piping is recommended.

p.o. no. _____
customer _____
project _____
location _____
architect _____
engineer _____

pate pipe hood assembly
pipe hood assembly shown with pc-2 curb - curb sold separately



pipe hood assembly requirements							
quantity	style	dimensions		**hood height	faceplate height	notes	tag
		O.D.	I.D.				
	PHA						
	PHA						
	PHA						