

pha-2

the pacesetter in quality prefab roof products



245 eisenhower lane south • lombard, illinois 60148  
 630.705.1920 • 800.243.3018 • fax 630.705.1930  
 www.patecurbs.com • e-mail: sales@patecurbs.com

**pate  
 pipe hood assembly**

**standard construction**

Heavy ga. aluminum construction. With removable top cover, faceplate and 3 sided body provide easy access to the hood interior. Separate fully welded and insulated aluminum mounting base furnished to isolate hood from galvanized curb. Field insulation of hood interior and caulking of all exposed joints after installation of piping is recommended. Also available in **pha-1** and **pha-5** styles.

Customer:

PO:

Project:

Address:

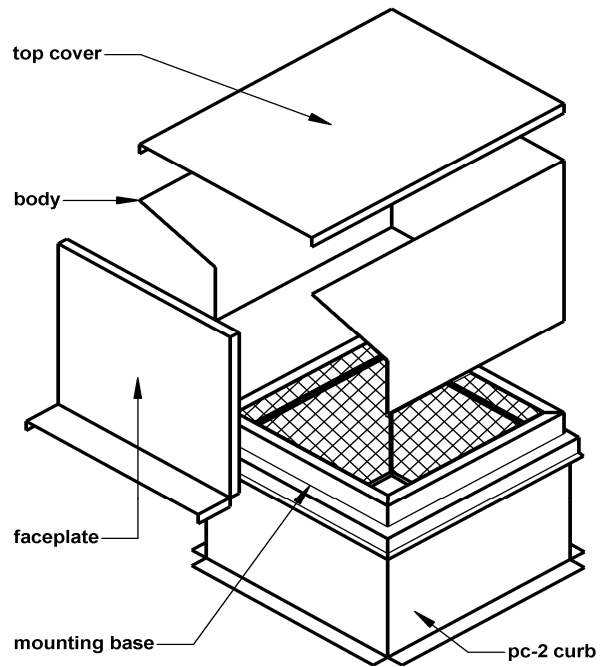
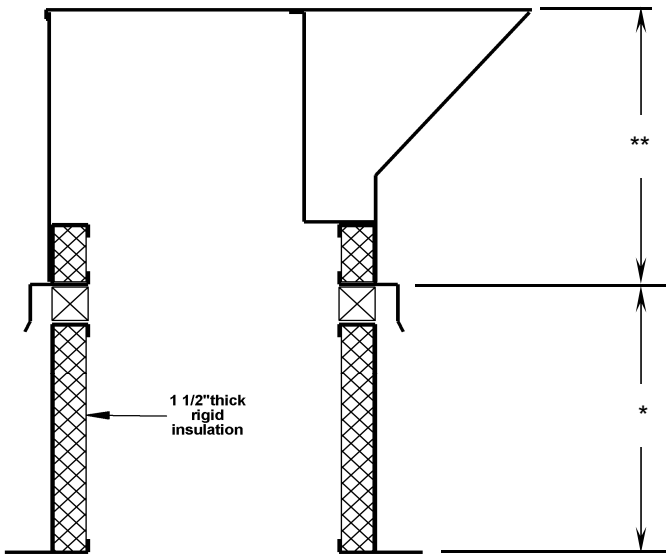
Address:

Notes:

**pate pipe hood assembly**

pha-2

pha-2 shown



**pipe hood assembly requirements**

quantity	style	dimensions		* curb height	**hood height	notes
		O.D.	I.D.			