

EV1.1, IV2.1

the pacesetter in quality prefab roof products



245 eisenhower lane south • lombard, illinois 60148
 630.705.1920 • 800.243.3018 • fax 630.705.1930
 www.patecurbs.com • e-mail: sales@patecurbs.com

pate ventilators

standard construction

Pate ventilators are constructed of heavy gauge aluminum. Intake hoods (iv) are designed with a 2 to 1 ratio, hood to throat. Exhaust hoods (ev) are 1 to 1 ratio. The hood support structure is made of aluminum channel and fabricated in a manner to minimize air flow restriction. Standard throat height is 6". Optional features include, insect screen, insulated interior, galvanized, galvalume and stainless steel construction.

Customer:

PO:

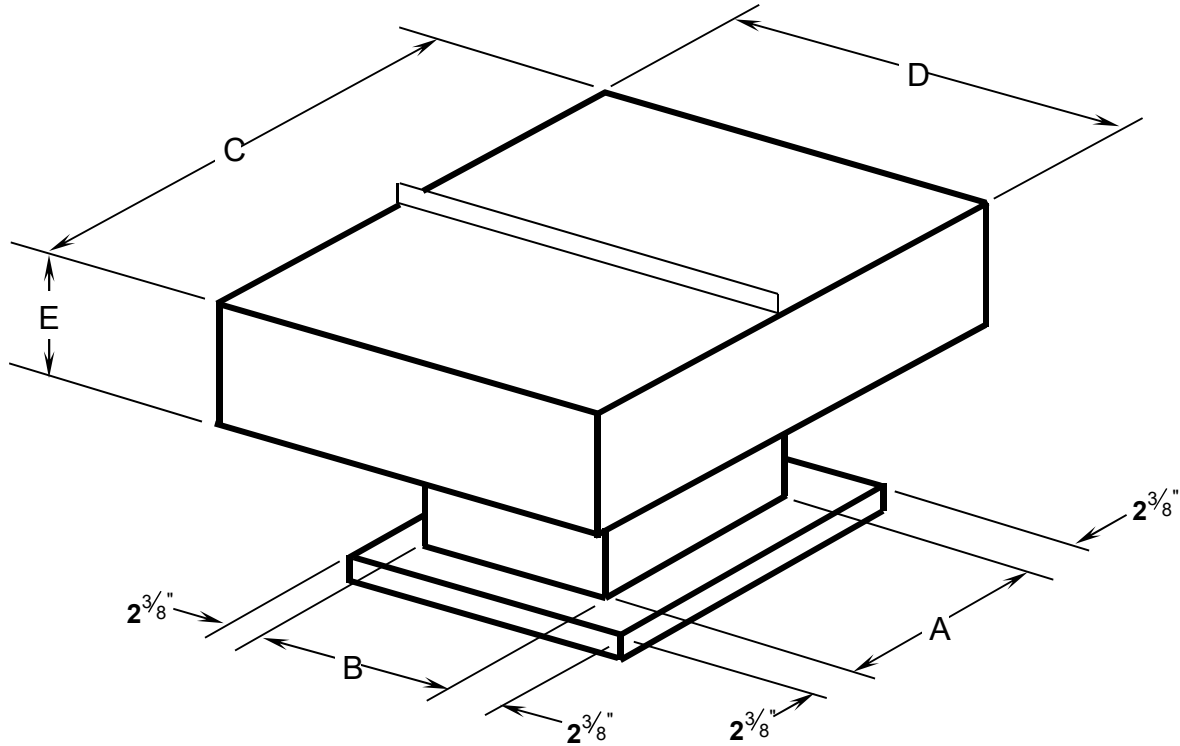
Project:

Address:

Address:

Notes:

pate hoods



hood requirements

quantity	type	dimensions					material	options	tag
		A	B	C	D	E			