

pc-2-sl

the pacesetter in quality prefab roof products



245 eisenhower lane south • lombard, illinois 60148
 630.705.1920 • 800.243.3018 • fax 630.705.1930
 www.patecurbs.com • e-mail: sales@patecurbs.com

pate
self leveling curbs for pitched roofs

standard construction

Heavy ga. galvanized steel, unitized construction with full mitered corners, all seams welded, 1 1/2" thick rigid fiberglass insulation, pressure treated wood nailer strip. All curbs are internally reinforced in larger dimensions. Separate 1 pc. fully welded flange for field leveling of curb.

Customer:

PO:

Project:

Address:

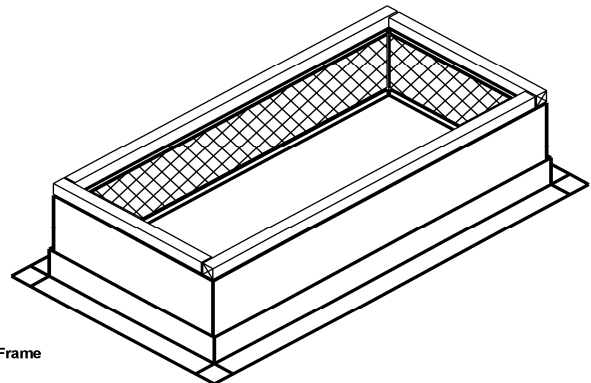
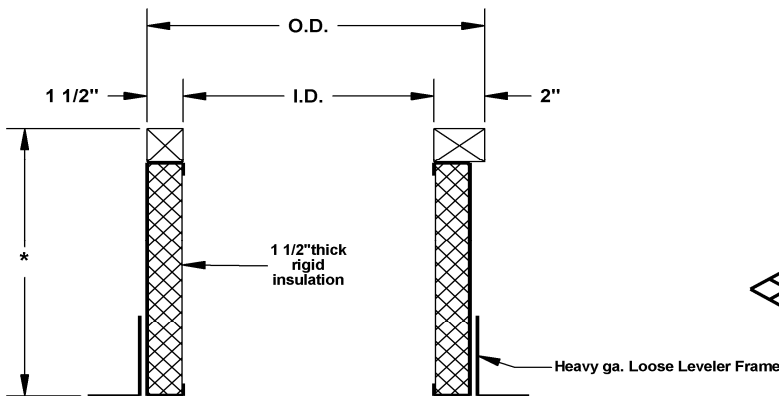
Address:

Notes:

pate curbs

pc-2-sl

pc-2b-sl



decks with lightweight fill

roof curb requirements

quantity	style	dimensions		* height	overhang b style	tag
		O.D.	I.D.			