

**cj-1,2,5**

the pacesetter in quality prefab roof products



245 eisenhower lane south • lombard, illinois 60148  
 630.705.1920 • 800.243.3018 • fax 630.705.1930  
 www.patecurbs.com • e-mail: sales@patecurbs.com

**pate  
control joint curbs**

**standard construction**

Heavy ga. galvanized steel, unitized construction, internally re-inforced, integral base plate, pressure treated wood nailer strip and connector clips. Base internally insulated with 1 1/2" thick rigid fiberglass insulation. Optional counterflashing with screws.

Customer:

PO:

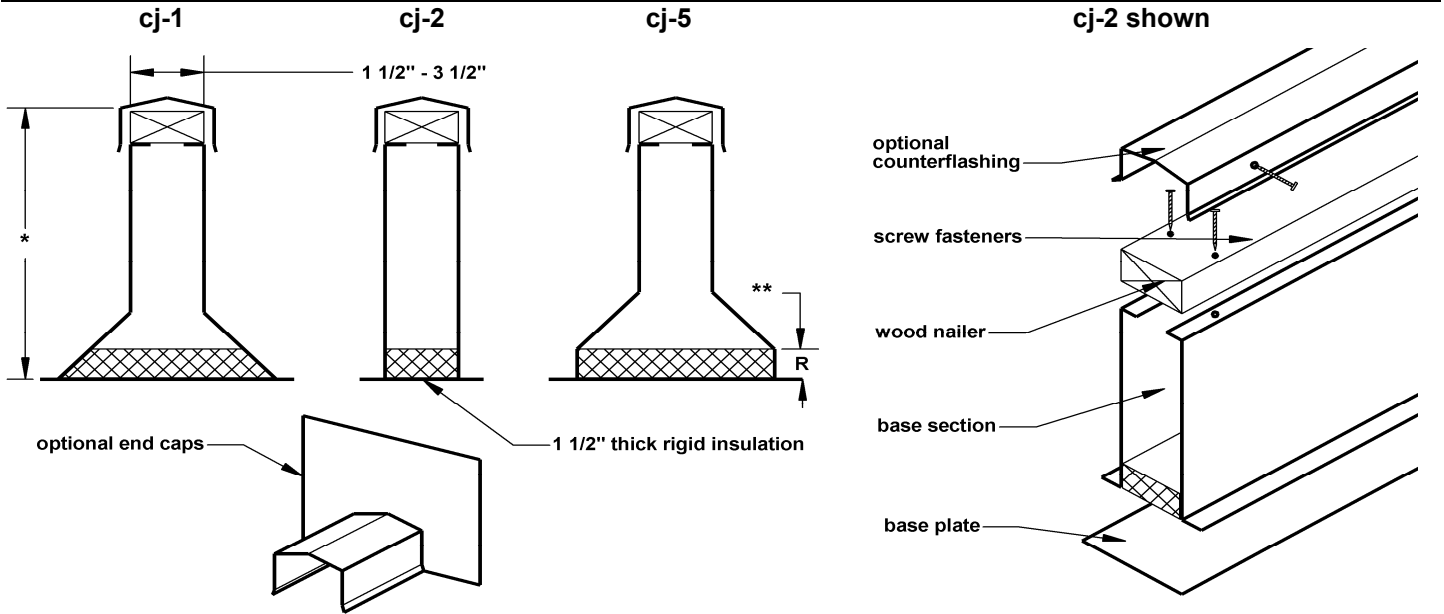
Project:

Address:

Address:

Notes:

**pate control joint curbs**



**control joint curb requirements**

quantity	style	nailer size	nailer length	* overall height	** raised cant height	*** sloping low end ht.	corners	tag