

es-2

the pacesetter in quality prefab roof products



245 eisenhower lane south • lombard, illinois 60148
 630.705.1920 • 800.243.3018 • fax 630.705.1930
 www.patecurbs.com • e-mail: sales@patecurbs.com

pate equipment supports

standard construction

18 ga. galvanized steel, unitized construction with integral base plate, continuous welded corner seams, pressure treated wood nailer, counterflashing with screws. Internally re-inforced to conform with **pate** load bearing factors. For decks with lightweight fill or tapered insulation.

Customer:

PO:

Project:

Address:

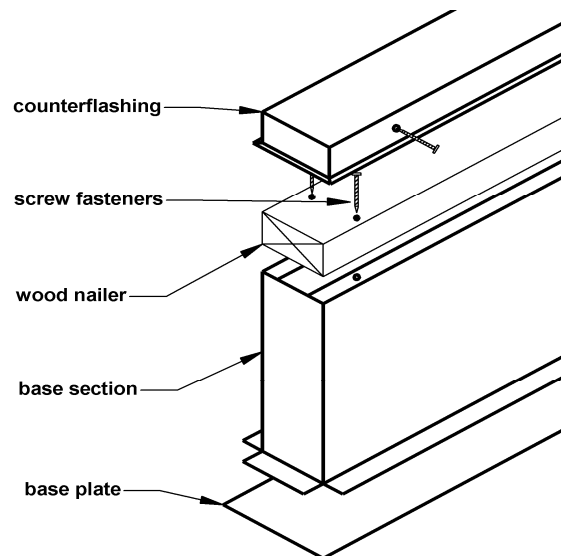
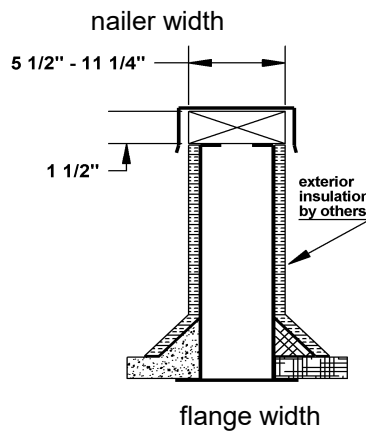
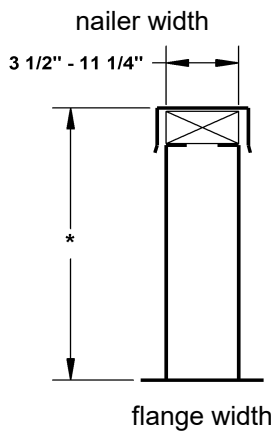
Address:

Notes:

pate equipment supports

es-2

es-2b



flange length: (es-2: nailer length + 3"); (es-2b: nailer length + 1")

equipment support requirements								tag /notes
quantity	style	nailer size	nailer length	* overall height	overhang b style	nailer width	flange width	