

es-2 12"T 2 X 6 (STOCK)
ship 10 pcs or less in 1-3 days



245 eisenhower lane south • lombard, illinois 60148
 630.705.1920 • 800.243.3018 • fax 630.705.1930
 www.patecurbs.com • e-mail: sales@patecurbs.com

pate (always in stock)
equipment supports

standard construction

18 ga. galvanized steel, unitized construction with integral base plate, continuous welded corner seams, pressure treated wood nailer, counterflashing with screws. Internally re-inforced to conform with **pate** load bearing factors.

Customer:

PO:

Project:

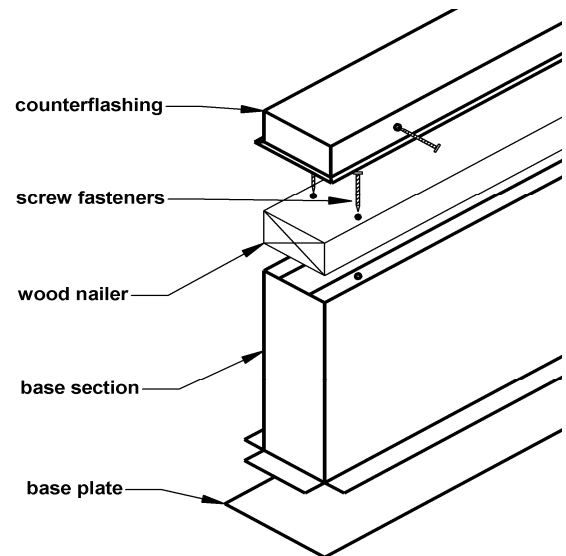
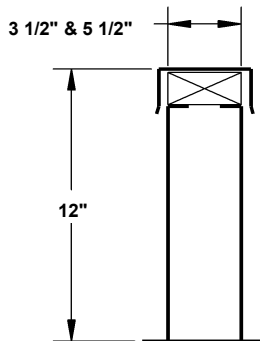
Address:

Address:

Notes:

pate equipment supports

es-2



equipment support requirements

quantity	style	nailer length	nailer width	overall height	tag
	ES-2	2'-0"	2 x 6	12"	
	ES-2	3'-0"	2 x 6	12"	
	ES-2	4'-0"	2 x 6	12"	
	ES-2	5'-0"	2 x 6	12"	
	ES-2	6'-0"	2 x 6	12"	
	ES-2	8'-0"	2 x 6	12"	
	ES-2	10'-0"	2 x 6	12"	