

cpba-2

the pacesetter in quality prefab roof products



245 eisenhower lane south • lombard, illinois 60148
 630.705.1920 • 800.243.3018 • fax 630.705.1930
 www.patecurbs.com • e-mail: sales@patecurbs.com

pate custom pipe box assembly

standard construction

18 GA. galvalume steel, unitized construction, full mitered corners, all seams welded, 1 1/2" thick rigid fiberglass insulation, pressure treated wood nailer strip. Pipe openings are to be field cut and sealed.

Also available in **cpba-1** and **cpba-5** styles.

Customer:

PO:

Project:

Address:

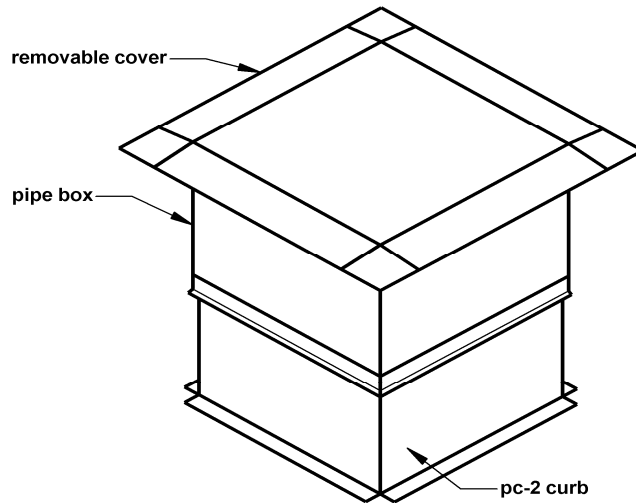
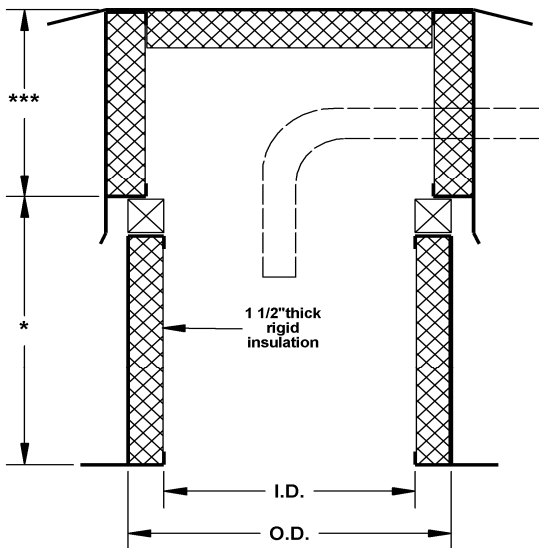
Address:

Notes:

pate custom pipe box assembly

cpba-2

cpba-2 shown



pipe box assembly requirements

quantity	style	dimensions		* curb height	***pipe box height	** raised cant height	tag
		O.D.	I.D.				