

# pc-2dhp (STOCK)



ship 10 pcs or less in 1-3 days

245 eisenhower lane south • lombard, illinois 60148  
630.705.1920 • 800.243.3018 • fax 630.705.1930  
www.patecurbs.com • e-mail: sales@patecurbs.com

Heavy gage galvanized steel, unitized, fully mitered corners, all seams welded, 1-1/2" thick rigid fiberglass insulation pressure treated wood nailer. All curbs are internally reinforced in larger sizes.

Damper holding plate included with roof curb to permit easy installation of a backdraft damper. Galvanized steel construction.

standard construction - with damper holding plate

Customer:

PO:

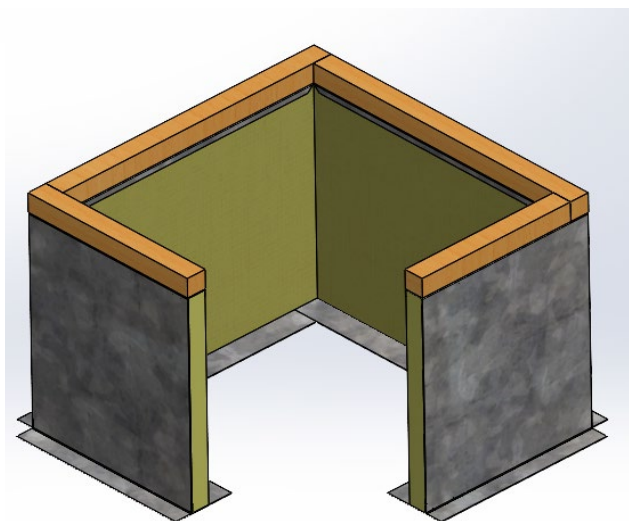
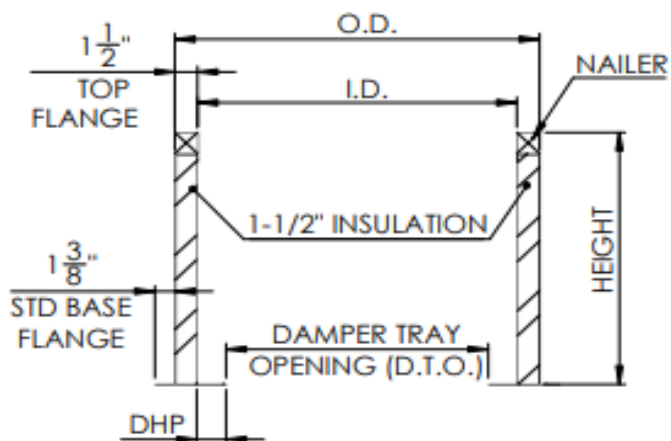
Project:

Address:

Address:

Notes:

## pc-2dhp



decks with lightweight fill or tapered insulation

### roof curb requirements

quantity	style	dimensions - od		dimensions - id		d.h.p.	d.t.o. opening		height	notes /tag
		length	width	length	width		length	width		
	pc-2dhp	16.5	16.5	13.5	13.5	1.875	9.75	9.75	12.000	
	pc-2dhp	18.5	18.5	15.5	15.5	1.875	11.75	11.75	12.000	
	pc-2dhp	16.5	16.5	13.5	13.5	1.875	9.75	9.75	18.000	
	pc-2dhp	18.5	18.5	15.5	15.5	1.875	11.75	11.75	18.000	