

es-1 STOCK

the pacesetter in quality prefab roof products

pate (always in stock) equipment supports

standard construction

18 ga. galvanized steel, unitized construction with integral base plate, continuous welded corner seams, pressure treated wood nailer, counterflashing with screws. Internally re-inforced to conform with **pate** load bearing factors.

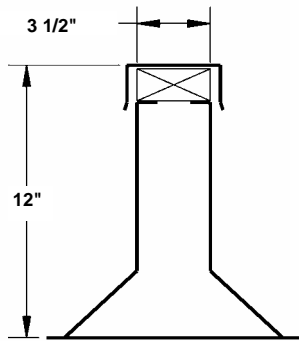


245 eisenhower lane south • lombard, illinois 60148
630.705.1920 • 800.243.3018 • fax 630.705.1930
www.patecurbs.com • e-mail: sales@patecurbs.com

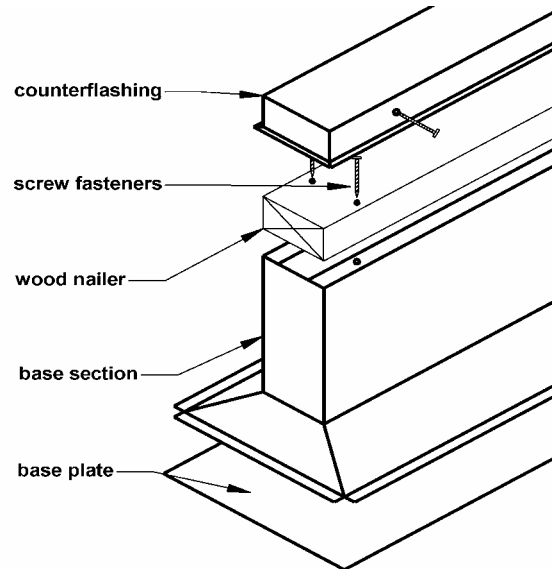
p.o. no. _____
customer _____
project _____
location _____
architect _____
engineer _____

pate equipment supports

es-1



non-insulated decks



equipment support requirements

quantity	style	nailer length	nailer width	* overall height	tag
	ES-1	2'-0"	2 x 4	12"	
	ES-1	3'-0"	2 x 4	12"	
	ES-1	4'-0"	2 x 4	12"	
	ES-1	6'-0"	2 x 4	12"	

es-2 STOCK

the pacesetter in quality prefab roof products

pate (always in stock) equipment supports

standard construction

18 ga. galvanized steel, unitized construction with integral base plate, continuous welded corner seams, pressure treated wood nailer, counterflashing with screws. Internally re-inforced to conform with **pate** load bearing factors.

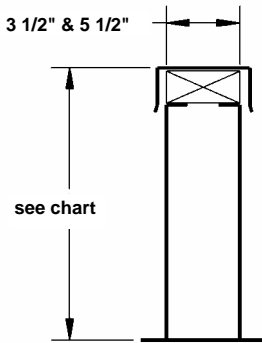


245 eisenhower lane south • lombard, illinois 60148
630.705.1920 • 800.243.3018 • fax 630.705.1930
www.patecurbs.com • e-mail: sales@patecurbs.com

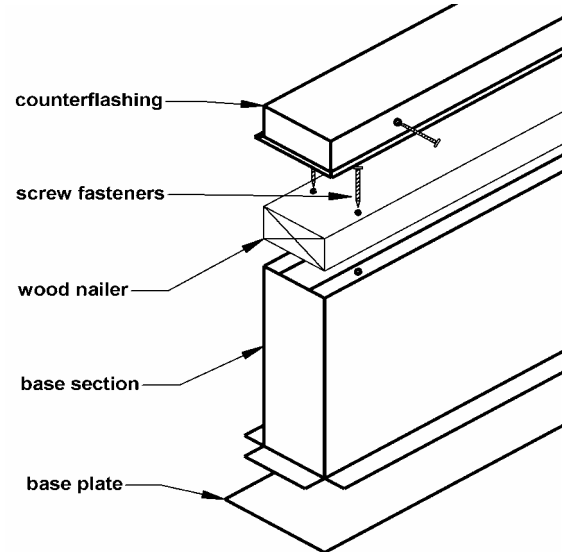
p.o. no. _____
customer _____
attn _____
project _____
location _____
architect _____
engineer _____

pate equipment supports

es-2



decks with lightweight fill or tapered insulation



equipment support requirements

quantity	style	nailer length	nailer width	overall height		quantity	style	nailer length	overall height	nailer width
	ES-2	2'-0"	2 x 4 & 2 x 6	12"			ES-2	2'-0"	18"	2 x 4
	ES-2	3'-0"	2 x 4 & 2 x 6	12"			ES-2	3'-0"	18"	2 x 4
	ES-2	4'-0"	2 x 4 & 2 x 6	12"			ES-2	4'-0"	18"	2 x 4
	ES-2	5'-0"	2 x 4 & 2 x 6	12"						
	ES-2	6'-0"	2 x 4 & 2 x 6	12"						
	ES-2	8'-0"	2 x 4 & 2 x 6	12"						
	ES-2	10'-0"	2 x 4 & 2 x 6	12"						

pc-2 STOCK

the pacesetter in quality prefab roof products

pate (always in stock) roof curbs

standard construction

Heavy ga. galvanized steel, unitized, full mitered corners, all seams welded, 1 1/2" thick rigid fiberglass insulation, pressure treated wood nailer strip. All curbs are internally reinforced in larger dimensions.

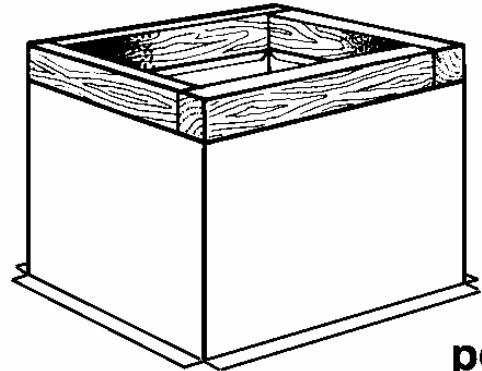
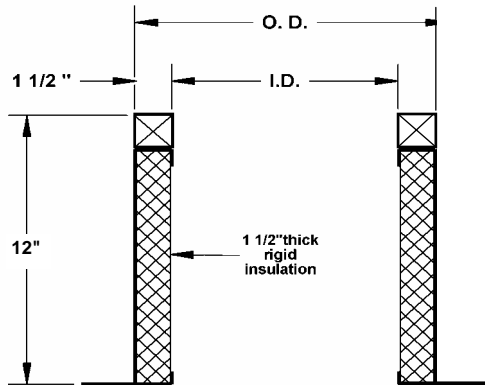


245 eisenhower lane south • lombard, illinois 60148
630.705.1920 • 800.243.3018 • fax 630.705.1930
www.patecurbs.com • e-mail: sales@patecurbs.com

p.o. no. _____
customer _____
project _____
location _____
architect _____
engineer _____

pate curbs

pc-2



pc-2

decks with lightweight fill or tapered insulation

roof curb requirements

quantity	style	dimensions		height	tag
		O.D.	I.D.		
	PC-2	15-1/2" x 15-1/2"	12-1/2" x 12-1/2"	12"	
	PC-2	17-1/2" x 17-1/2"	14-1/2" x 14-1/2"	12"	
	PC-2	20-1/2" x 20-1/2"	17-1/2" x 17-1/2"	12"	
	PC-2	24-1/2" x 24-1/2"	21-1/2" x 21-1/2"	12"	
	PC-2	28-1/2" x 28-1/2"	25-1/2" x 25-1/2"	12"	
	PC-2	32-1/2" x 32-1/2"	29-1/2" x 29-1/2"	12"	
	PC-2	38-1/2" x 38-1/2"	35-1/2" x 35-1/2"	12"	

pc-2-dhp STOCK

**pate (always in stock)
roof curbs with damper tray**



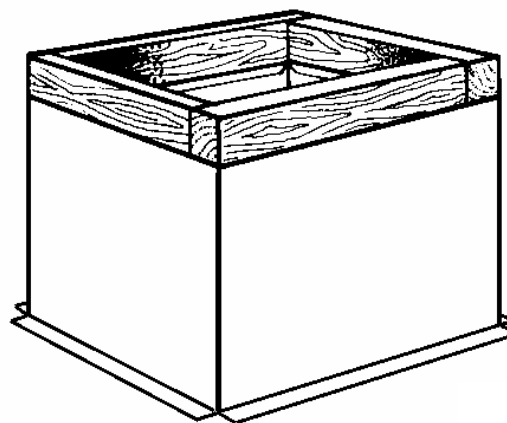
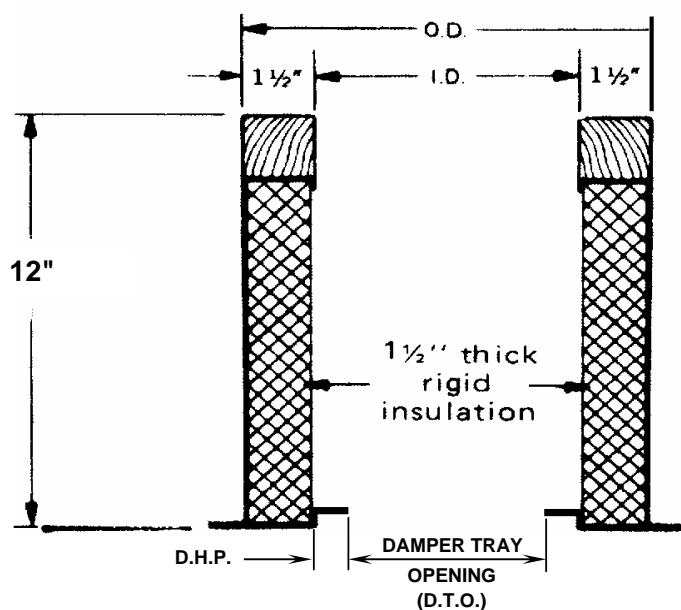
245 eisenhower lane south • lombard, illinois 60148
630.705.1920 • 800.243.3018 • fax 630.705.1930
www.patecurbs.com • e-mail: sales@patecurbs.com

standard construction

Heavy ga. galvanized steel, unitized construction with full mitered corners all seams welded, 1 1/2" thick rigid fiberglass insulation, pressure treated wood nailer strip. All curbs are internally reinforced in larger size dimensions.

p.o. no. _____
customer _____
attn _____
project _____
location _____
architect _____
engineer _____

pate curbs pc-2-dhp



roof curb requirements

quantity	style	dimensions		height	d.h.p	d.t.o. square	tag
		O.D.	I. D.				
	PC-2	16 1/2" x 16 1/2"	13-1/2" x 13-1/2"	12"	1 7/8"	9 3/4"	
	PC-2	18 1/2" x 18 1/2"	15-1/2" x 15-1/2"	12"	1 7/8"	11 3/4"	
	PC-2	20 1/2" x 20 1/2"	17-1/2" x 17-1/2"	12"	1 7/8"	13 3/4"	
	PC-2	22 1/2" x 22 1/2"	19-1/2" x 19-1/2"	12"	1 7/8"	15 3/4"	
	PC-2	26 1/2" x 26 1/2"	23-1/2" x 23-1/2"	12"	1 7/8"	19 3/4"	
	PC-2	28 1/2" x 28 1/2"	25-1/2" x 25-1/2"	12"	1 7/8"	21 3/4"	
	PC-2	30 1/2" x 30 1/2"	27-1/2" x 27-1/2"	12"	1 7/8"	23 3/4"	
	PC-2	34 1/2" x 34 1/2"	31-1/2" x 31-1/2"	12"	1 7/8"	27 3/4"	
	PC-2	40 1/2" x 40 1/2"	37-1/2" x 37-1/2"	12"	1 7/8"	33 3/4"	

pca-1,2,5 STOCK

the pacesetter in quality prefab roof products



245 eisenhower lane south • lombard, illinois 60148
630.705.1920 • 800.243.3018 • fax 630.705.1930
www.patecurbs.com • e-mail: sales@patecurbs.com

pate (always in stock) pipe curb assemblies

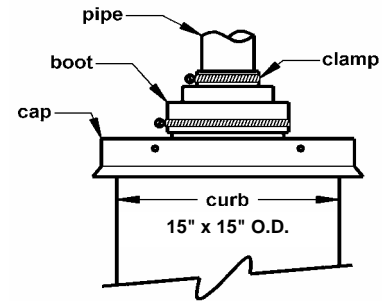
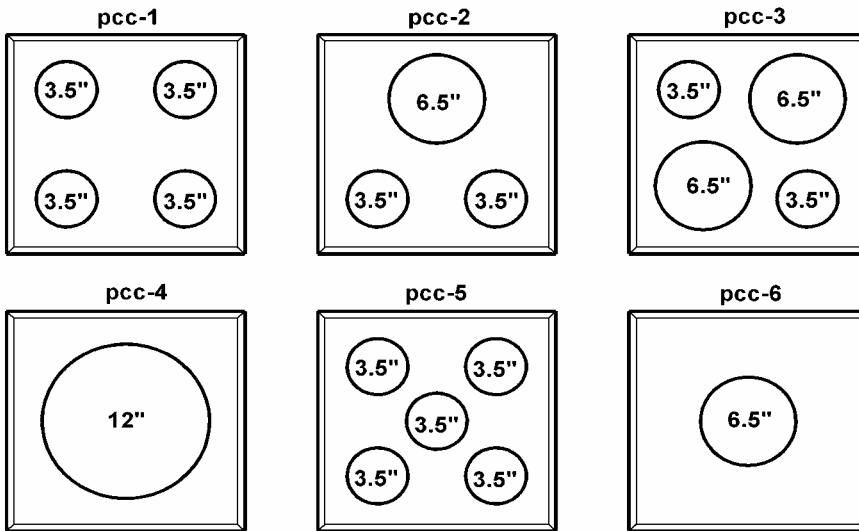
standard construction

pipe curb assembly shall consist of heavy ga. galvanized steel roof curb, unitized construction, with integral base plate, 1 1/2" insulation and 2 x 2 treated wood nailer. Unit shall be furnished with acrylic clad thermoplastic cover, fastening screws, graduated step boots with stainless steel clamps.

p.o. no. _____
customer _____
project _____
location _____
architect _____
engineer _____

pate pipe curb assemblies

cap styles

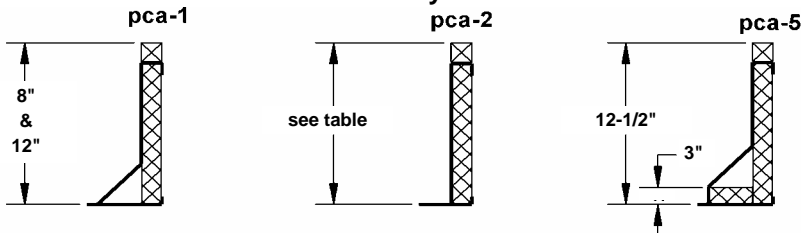


cap and boot packages

NOTE: sizes listed are actual O.D.

- pcc-1** for up to 4 pipes: 1/2" - 2 7/8" O.D.
- pcc-2** for up to 2 pipes: 1/2" - 2 7/8" O.D. and 1 pipe: 3" - 5 1/2" O.D.
- pcc-2q6** for up to 2 pipes: 1/2" - 2 7/8" O.D. and for up to 4 pipes: 3/8" - 2" O.D.
- pcc-3** for up to 2 pipes: 1/2" - 2 7/8" O.D. and for up to 2 pipes: 3" - 5 1/2" O.D.
- pcc-3q6** for up to 2 pipes: 1/2" - 2 7/8" O.D. and for up to 8 pipes: 3/8" - 2" O.D.
- pcc-4** for 1 pipe: 6" - 10 3/4" O.D.
- pcc-5** for up to 5 pipes: 1/2" - 2 7/8" O.D.
- pcc-6** for 1 pipe: 3" - 5 1/2" O.D.

curb styles



pipe curb assembly requirements

quantity	curb style	height	raised cant	cap & boot pkg.		
	PCA-2	12"	n/a	pcc-	 b-3 1 module graduated step 3 1/2" boot for 1/2" - 2 7/8" actual O.D. pipe	 b-q6 4 module graduated step 6 1/2" boot for 3/8" - 2" actual O.D. pipe
	PCA-2	14"	n/a	all		
	PCA-2	16"	n/a	in		
	PCA-2	18"	n/a	in		
	PCA-2	24"	n/a	in	 b-6 1 module graduated step 6 1/2" boot for 3" - 5" actual O.D. pipe	 b-12 1 module graduated step 12" boot for 6" - 10 3/4" actual O.D. pipe
	PCA-1	8"	n/a	stock		
	PCA-1	12"	n/a	stock		
	PCA-5	12-1/2"	3"	stock		

pha-2 STOCK

the pacesetter in quality prefab roof products



245 eisenhower lane south • lombard, illinois 60148
 630.705.1920 • 800.243.3018 • fax 630.705.1930
 www.patecurbs.com • e-mail: sales@patecurbs.com

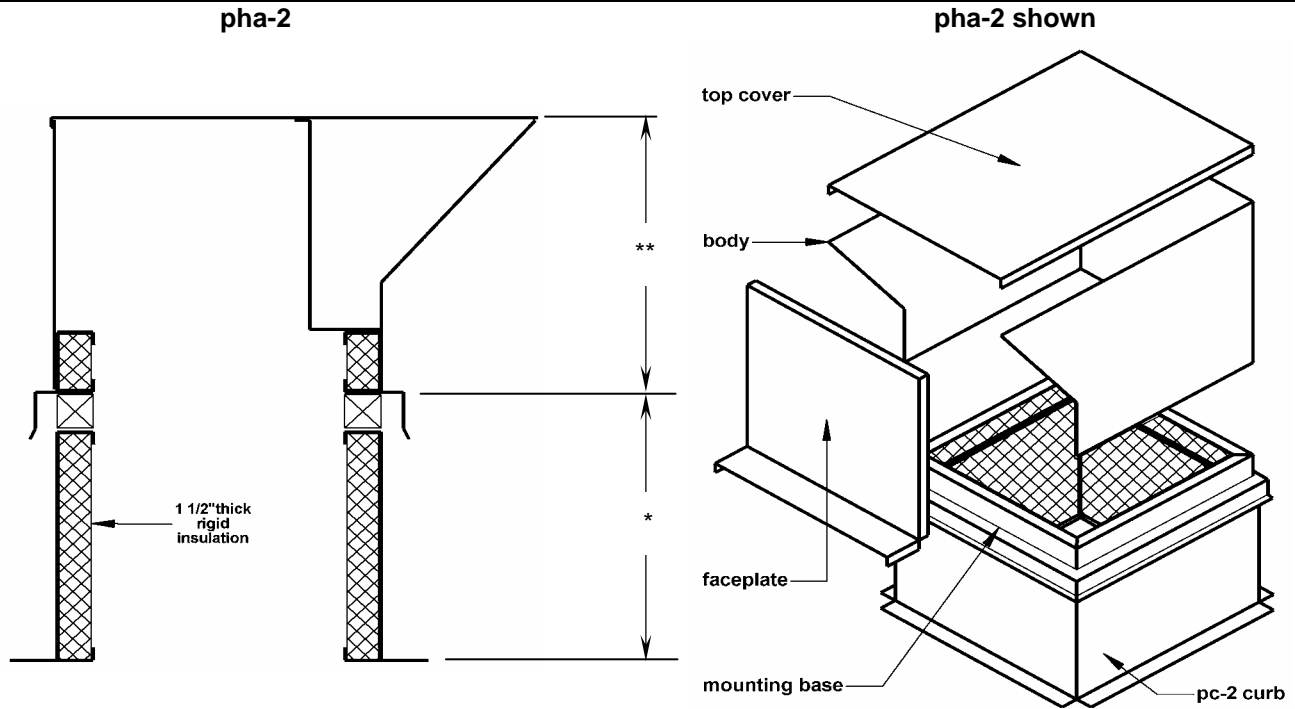
pate (always in stock) pipe hood assembly

standard construction

Heavy ga. aluminum construction. With removable top cover, faceplate and 3 sided body provide easy access to the hood interior. Separate fully welded and insulated aluminum mounting base furnished to isolate hood from galvanized curb. Field insulation of hood interior and caulking of all exposed joints after installation of piping is recommended.

p.o. no. _____
 customer _____
 project _____
 location _____
 architect _____
 engineer _____

pate pipe hood assembly



pipe hood assembly requirements

quantity	style	dimensions		* curb height	**hood height		tag
		O.D.	I.D.				
1	PHA	15" x 15"	12" x 12"	12"	12"		
1	PHA	15" x 15"	12" x 12"	14"	12"		
1	PHA	15" x 15"	12" x 12"	15"	12"		
1	PHA	15" x 15"	12" x 12"	16"	12"		
1	PHA	15" x 15"	12" x 12"	18"	12"		
1	PHA	15" x 15"	12" x 12"	24"	12"		

pps-3,6,12 STOCK

the pacesetter in quality prefab roof products

pate (always in stock) pipe seal assemblies

standard construction

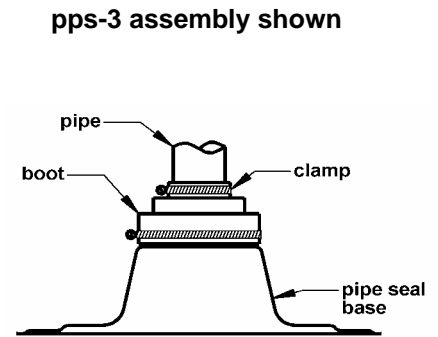
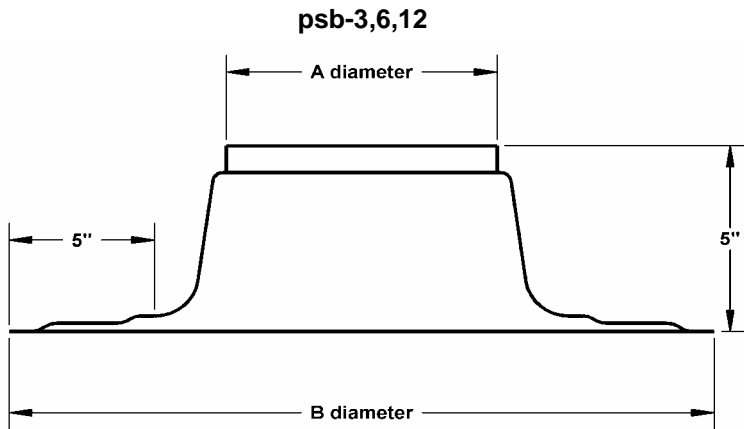
One piece spun aluminum base with full five inch sloped roof surface flange, graduated step pvc boot and adjustable stainless steel clamps.



245 eisenhower lane south • lombard, illinois 60148
630.705.1920 • 800.243.3018 • fax 630.705.1930
www.patecurbs.com • e-mail: sales@patecurbs.com

p.o. no. _____
customer _____
project _____
location _____
architect _____
engineer _____

pate pipe seal assemblies




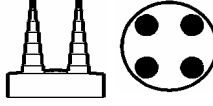
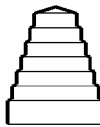
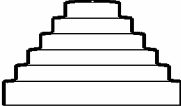
pipe seal base and boot packages

pipe seal base	A dia.	B dia.
psb-3	3 1/2"	16"
psb-6	6 1/2"	20"
psb-12	12"	23"

NOTE: sizes listed are actual O.D.

- pps-3** 1 pipe: 1/2" - 2 7/8" O.D.
- pps-6** 1 pipe: 3" - 5 1/2" O.D.
- pps-6q6** for up to 4 pipes: 3/8" - 2" O.D.
- pps-12** 1 pipe: 6" - 10 3/4" O.D.

pipe seal assembly requirements

quantity	pipe seal assembly	components			b-3		b-q6	
		base	boot	clamps		1 module graduated step 3 1/2" boot for 1/2" - 2 7/8" actual O.D. pipe		4 module graduated step 6 1/2" boot for 3/8" - 2" actual O.D. pipe
	pps-3	psb-3	b-3	2 clamps				
	pps-6	psb-6	b-6	2 clamps				
	pps-6q6	psb-6	b-q6	5 clamps				
	pps-12	psb-3	b-12	2 clamps		1 module graduated step 6 1/2" boot for 3" - 5" actual O.D. pipe		1 module graduated step 12" boot for 6" - 10 3/4" actual O.D. pipe

dektites® STOCK

the pacesetter in quality prefab roof products



245 eisenhower lane south • lombard, illinois 60148
 630.705.1920 • 800.243.3018 • fax 630.705.1930
 www.patecurbs.com • e-mail: sales@patecurbs.com

standard construction

For use on metal roof panels, aluminum, copper, plastic, fiberglass, lead and wood. Flexible aluminum base conforms to any panel. -30 to +250 F temperature range. One piece construction will not crack or break. Pleated EPDM cone adjusts to any roof pitch. Pipe diameter markings are clearly indicated on the flexible cone in inches and millimeters for accurate fitting. Applications include plumbing, heating and air conditioning pipes and vents, electrical service entrances, etc.. Effectively flashes and isolates the pipe from building movement created by expansion, contraction and vibration. Designed for pipe diameters from 1/4" through 24".

p.o. no. _____
 customer _____

 project _____
 location _____

 architect _____
 engineer _____

dektites standard



dektite requirements

quantity	dektite size	pipe diameter range	base diameter	fasteners required	sealant required	tag
standard - gray - 250 degrees F						
	mini	1/8" - 1"	3 5/8"	5	1/12 tube	
	#1	1/4" - 2"	4 3/4"	6	1/10 tube	
	#2	1 3/4" - 3"	6 1/4"	8	1/7 tube	
	#3	1/4" - 4"	7 3/4"	10	1/6 tube	
	#4	3" - 6"	9 1/4"	12	1/5 tube	
	#5	4" - 7"	10 3/4"	14	1/4 tube	
	#6	5" - 9"	13 1/2"	16	1/4 tube	
	#7	6" - 11"	14 1/2"	18	1/3 tube	
	#8	7" - 13"	16 1/2"	22	1/3 tube	
	#9	10" - 18"	25 3/8"	32	1/2 tube	